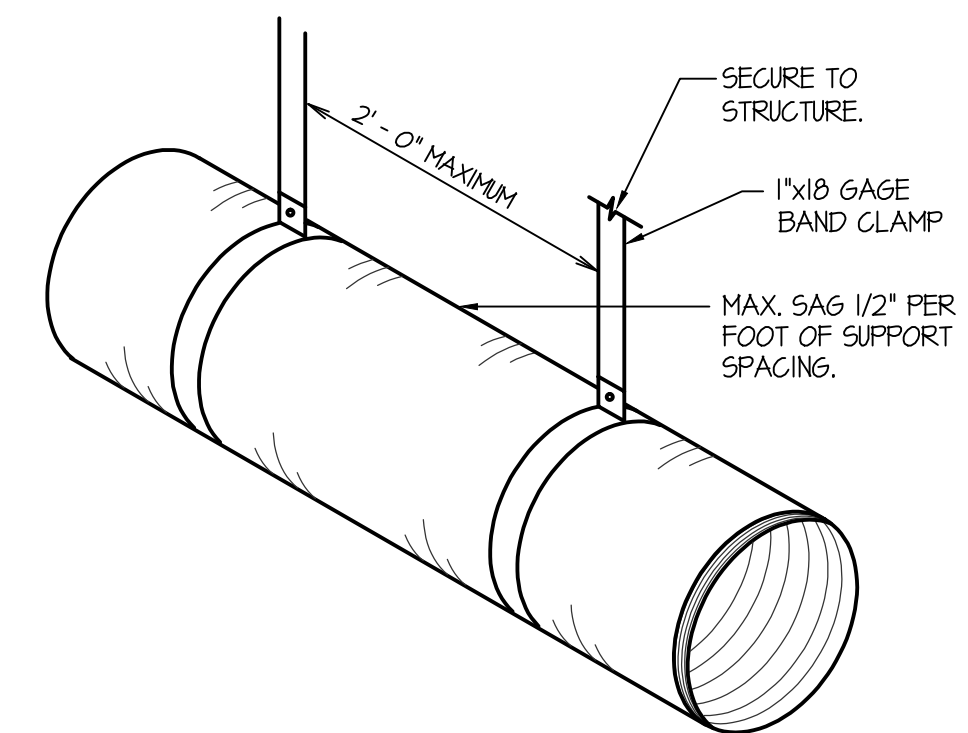
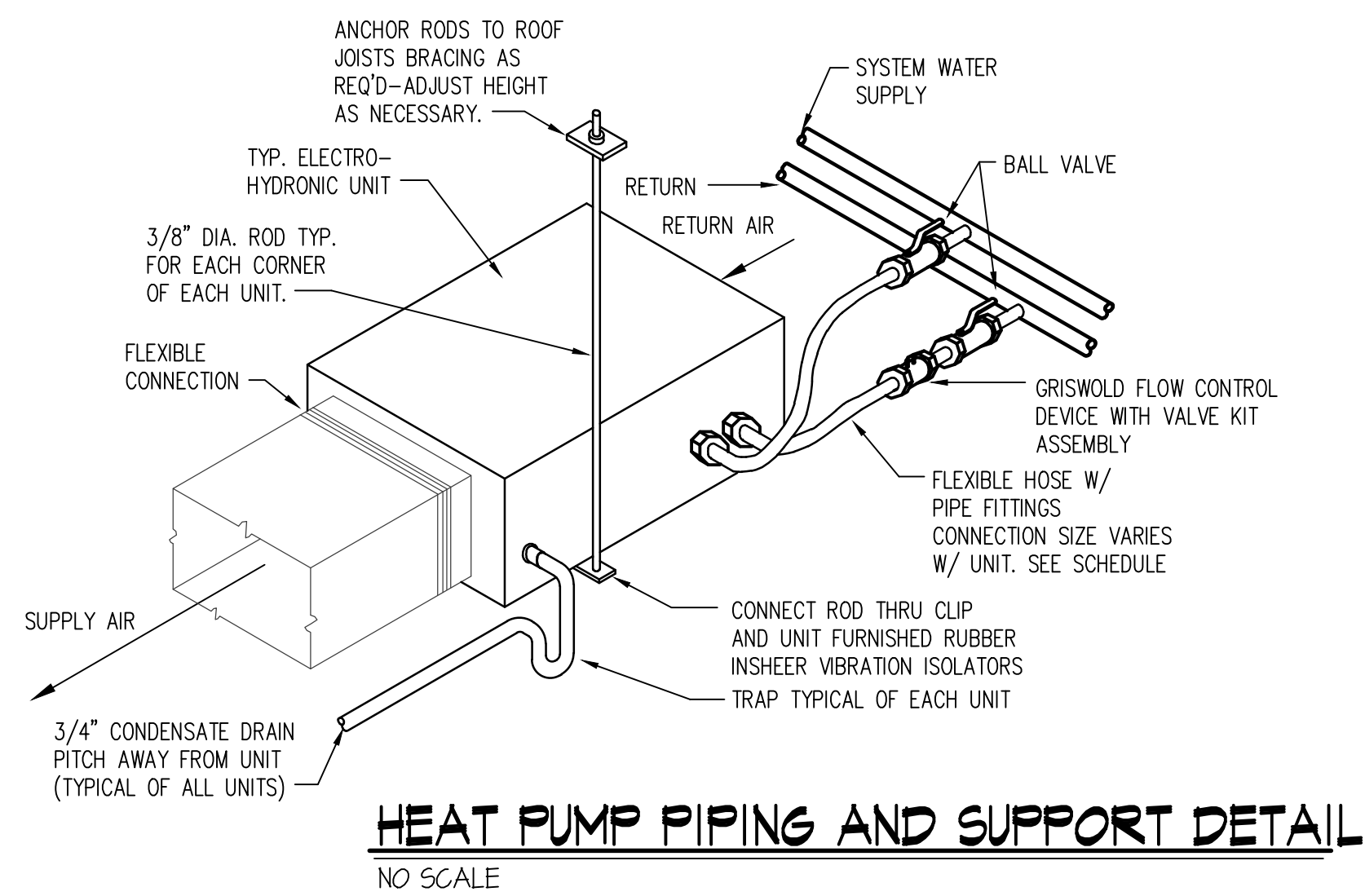


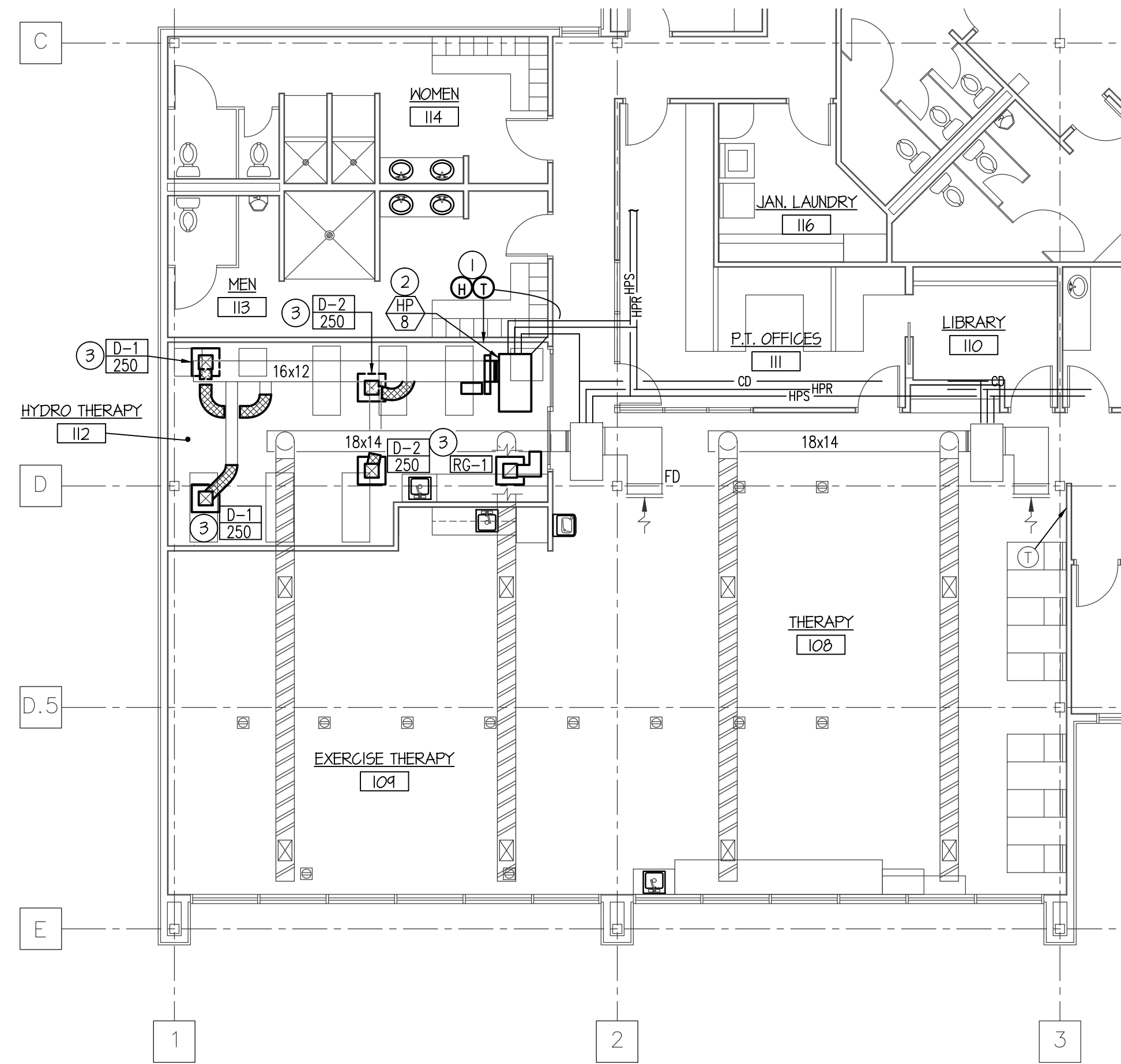
F:\V\19048 PNC Sports Medicine Remodel\19048 PNC Sport.dwg Jul 31, 2014 - 4:45pm



FLEXIBLE DUCT SUPPORT DETAIL
NO SCALE



HEAT PUMP PIPING AND SUPPORT DETAIL
NO SCALE



MAIN LEVEL MECHANICAL FLOOR PLAN
SCALE: 1/8" = 1'-0"

GRILLE AND REGISTER SCHEDULE									
SYM.	TYPE	SIZE	CFM RANGE	THROW PATTERN	CONSTR.	FINISH	BALANCING DAMPER	FIRE DAMPER	REMARKS
D-1	CEILING	10x10	250		STEEL	WHITE	NA	NA	PRICE MODEL SMD IN 24x24 LAY-IN CEILING
D-2	CEILING	10x10	250		STEEL	WHITE	NA	NA	PRICE MODEL SMD IN 24x24 LAY-IN CEILING
R-1	CEILING	20x20	1000	NA	STEEL	WHITE	NA	NA	PRICE MODEL 535 IN 24x24 LAY-IN CEILING

HEAT PUMP SCHEDULE																		
SYM.	TYPE	C.F.M.	H.P.	S.P.E.	CHAR.	HEATING			COOLING				MINIMUM CKT AMPS	MANUFACTURER	PIPE SIZE			
						BTU	EAT	LAT	BTU	EAT	LAT	GPM				EER	ENT	LWT
	HORIZONTAL	1000	1/2	50"	208/60/3	34,130	80°F	120°F	21,100	75°F	55°F	3.0	---	85°F	45°F	13.0 + 10 KW	DECTRON MODEL DS-010 DEHUMIDIFIER W/ WATER COOLED CONDENSOR, HUMIDISTAT, AND ELECT. DUCT HEATER.	3/4"

- PLAN NOTES:**
- NEW THERMOSTAT AND HUMIDITY FOR HP-8.
 - SEE HEAT PUMP MOUNTING DETAILS ON THIS SHEET.
 - MODIFY DUCT AS REQUIRED FOR NEW DIFFUSER/GRILLE LOCATION. RE-ATTACHED EXISTING SUPPLY, RETURN AND DRAIN TO NEW UNIT.

MECHANICAL LEGEND

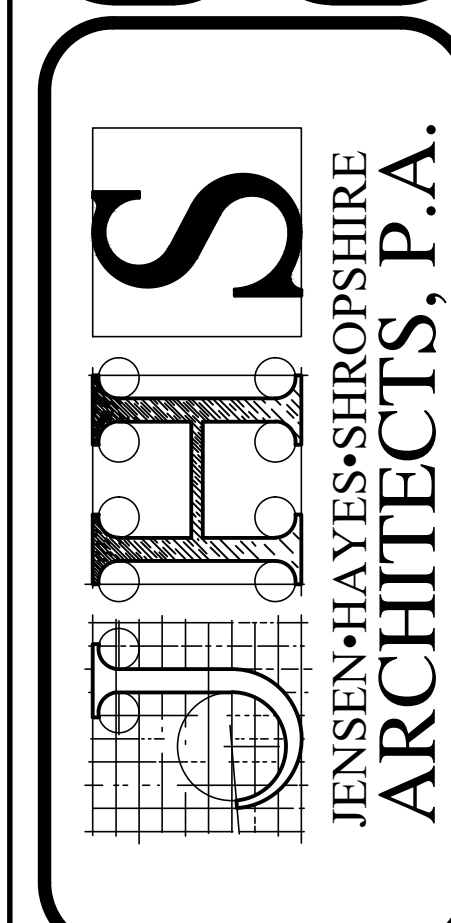
SYMBOL	DESCRIPTION
	ELECTRONIC THERMOSTAT
	EQUIPMENT SYMBOL
	HAND DAMPER
	ROUND BRANCH DUCT WITH HAND DAMPER
	INSULATED FLEXIBLE DUCT
	RETURN AIR OR EXHAUST GRILLE
	CEILING DIFFUSER

ORIGINAL DRAWING SIGNED BY: DWAYNE SUDWEEKS
DATE ORIGINAL SIGNED: JULY 31, 2014
ORIGINAL ON FILE AT ENGINEERED SYSTEMS ASSOCIATES
315 WEST CENTER, POCATELLO, IDAHO 83204

PROFESSIONAL ENGINEER REGISTERED 5762 DWAYNE C. SUDWEEKS
Engineered Systems Associates
 1355 EAST CENTER POCATELLO, IDAHO 83201
 PHONE: (208) 233-0501
 FAX: (208) 233-0529
 EMAIL: eso@engsystems.com
 ESA JOB NUMBER: 19048

COPYRIGHT 2017
JENSEN-HAYES-SHROPSHIRE ARCHITECTS, P.A.

125 N. GARFIELD AVE.
POCATELLO, IDAHO 83204
208-232-1223 (FAX: 208-232-1226)



SPORTS MEDICINE CENTER REMODEL
AT IDAHO STATE UNIVERSITY

MECHANICAL FLOOR PLAN

REVISIONS:
 DATE: JAN 2014
 DRAWING NO. **M1.1**
 JOB NO. 1901
 2 OF 2